

MICA



IL-640
IL-640 EM
IL-6400

User Manual

Please read this manual carefully in order to experience the full benefits of your lamp. Please store the manual for later use.



USING THE LAMP

The charge of the lamp's battery will be reduced when the lamp is stored. The lamp must be carefully charged prior to use by using a MICA ILC4 charging stand. The battery will be charged from empty to full in 6 to 12 hours, depending on the temperature and condition of the battery. A new battery will reach its full capacity when it has been fully charged and discharged about ten times. **The first charging of a new lamp must take at least 12 uninterrupted hours!**

OPERATING MODES

A pushbutton controls the functions of different lamp models as follows:

IL-640: LOW-POWER -> FULL-POWER -> OFF

IL-640 EM: LOW-POWER -> FULL-POWER -> OFF. If the lamp is in the charging stand and a power failure occurs, the lamp is automatically lit at LOW-POWER.

IL-6400: LOW-POWER -> FULL-POWER -> OFF. Boost is available when the lamp is switched on.

IL-6400 is equipped with a "Boost" function which is activated by holding the button down. IL-6400 will provide over 50% more light in Boost mode compared to FULL-POWER, but it is intended to be used only briefly to prevent overheating. The function stays on for as long the button is held down.

IL-640 EM SAFETY LIGHT

The light will be automatically turned on when the lamp is in the charging stand and the charging power is cut off (power failure, etc.). IL-640 EM is always automatically in safety light mode when placed in the charging stand.

Manufacturer: ATEXOR OY
P.O.Box 89, FIN-60101 SEINÄJOKI
Tel: +358-207 343 250
Internet: www.atexor.com

MICA IL-640, IL-640 EM, IL-6400 User Manual

OPERATING TIMES

The operating time with a fully charged battery depends on the lamp model and the operating mode used (see table).

	IL-640 NiMH	IL-640 NiCd	IL-6400 NiMH
LOW POWER	24 h	16 h	24 h
FULL-POWER	8 h	5 h	5 h

The series of red LEDs under the handle show the battery charge. If only one LED is on and/or the lamp begins to flash approximately every 15 seconds, the lamp battery is almost empty (10–20 minutes remaining). The control electronics will automatically turn off the lamp prior to deep discharge of the battery. In an emergency, the lamp can still be used for a short period of time, but the battery's service life will be reduced.

The operating time will become shorter as the battery ages. If the overall operating time remains clearly below the values stated in the table even with a fully charged battery, the battery should be replaced.

TO BE TAKEN INTO ACCOUNT WHEN USING LAMP

In case of NiCd batteries, in order to guarantee the longest service life possible, the battery should be discharged completely from time to time by leaving the lamp on until it automatically shuts off. Lamps equipped with NiCd batteries should be discharged fully approximately once a month. This helps to avoid the battery memory phenomenon that reduces operating time. **Please note that you may not install a NiMH battery in a NiCd lamp!**

CHARGING AND STORAGE

Do not charge IL-640 & IL-6400 lamps in charging stands other than the new MICA ILC4. Older MICA charging stands will not charge the lamp correctly, but can be upgraded to be suitable (contact your dealer for more information). IL lamps should be stored in their stands while not in use. Please read the charger manual as well!

CHARGING TIMES IL-640 NiMH 11 h IL-640 NiCd 7 h IL-6400 NiMH 11 h

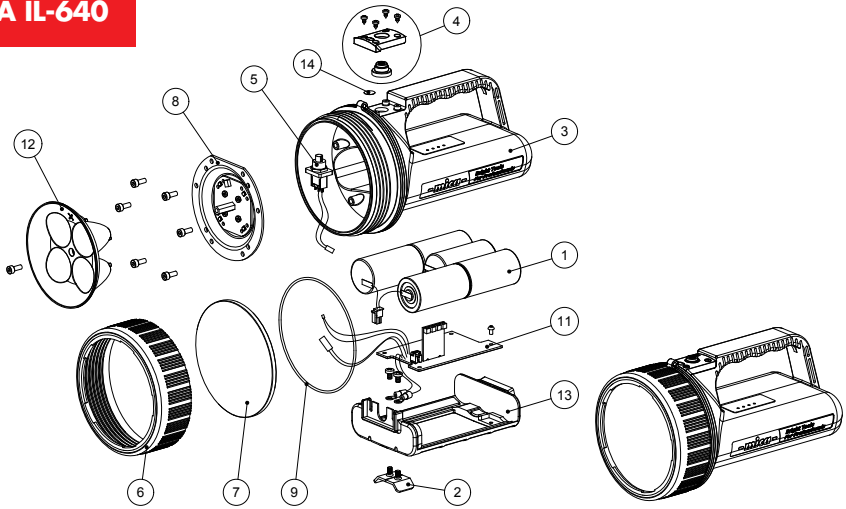
MAINTENANCE

During the warranty period, components may be replaced by an authorized ATEXOR service agent only. Only original ATEXOR spare parts may be used. Other procedures will invalidate the warranty.

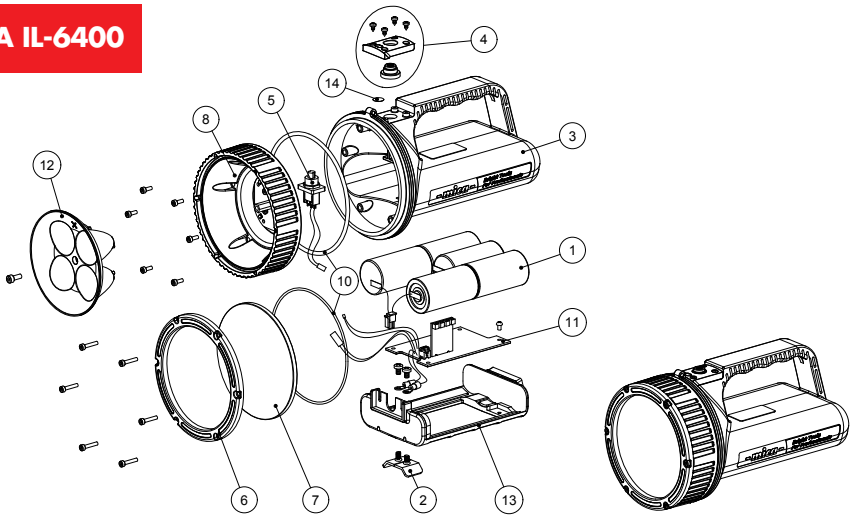
IL-640 lamp disassembly and assembly

1. Unscrew the charging contacts on the bottom of the lamp (Pozidriv 2).
2. Unscrew the locking ring, remove the lens and seal.
3. Open the hex socket screw (3 mm hex key) and lift the reflector out.
4. Carefully disconnect the connector from the LED circuit board. Pay special attention to not touch any of the 4 LEDs on the circuit board.
5. Open the Torx (T20 key) screws and remove the LED module.
6. Slide the carriage unit halfway out of the enclosure (if the carriage is stuck, tap the lamp gently against the edge of a table) and disconnect the pushbutton connector. Pull the carriage completely out of the enclosure.
7. Replace components as necessary and assemble in reverse order.
 - a. Avoid pinching any wires.
 - b. Be careful that the reflector does not come into contact with LEDs during assembly.
 - c. Carefully insert the o-ring seal back in the groove and then place the lens over the o-ring.
 - d. The locking ring should be tightened while in the charging stand in order to ensure sufficient tightness.

MICA IL-640



MICA IL-6400



IL-6400 lamp disassembly and assembly

1. Remove the charging contacts on the bottom of the lamp (open Phillips screws).
2. Open the six hex socket screws (2.5 mm hex key) and remove the lens frame, lens and seal.
3. Open the hex socket screw (3 mm hex key) and lift the reflector out.
4. Open the six hex socket screws (2 mm hex key) and open the aluminum frame slightly and carefully disconnect the black/red wire connector from the LED circuit board. Pay special attention to not touch any of the 4 LEDs on the circuit board.
5. Slide the carriage unit halfway out of the enclosure (if the carriage is stuck, tap the lamp gently against the edge of a table) and disconnect the pushbutton connector. Pull the carriage completely out of the cover.
6. Replace components as necessary and assemble in reverse order.
 - a. Avoid pinching any wires.
 - b. Be careful that the reflector does not come into contact with the LEDs during assembly.

Pushbutton replacement

Note! The lamp must be disassembled before the pushbutton can be replaced.

1. Unscrew the four screws holding the switch cover plate in place.
2. Remove the cover plate and the rubber cover, and remove the switch from the inside of the cover.
3. Before reassembling, check that the rubber cover is intact, since its condition is crucial to the ingress protection of the lamp.

SPARE PARTS

1	22002	Battery pack 9.0 Ah NiMH	7	M01297_X	Glass lens
	22006	Battery pack 5.5 Ah NiCd	8	21017	IL-640 LED module Cool
2	M00940	Charging contact assembly		21018	IL-640 LED module CRI
3	16034	IL-640 lamp body NiMH		21019	IL-6400 LED module Cool
	16035	IL-640 lamp body NiCd		21020	IL-6400 LED module CRI
	16036	IL-6400 lamp body NiMH	9	M02867	IL-640 O-ring seal (1 pc)
4	MH0101_2	Switch cover assembly, black (NiMH lamps)	10	MH0106_3	IL-6400 O-ring seals (2 pcs)
	MH0101_1	Switch cover assembly, grey (NiCd lamps)	11	21013	IL-640 main circuit board
				21014	IL-640 EM main circuit board
				21015	IL-6400 main circuit board
5	M03356	Pushbutton assembly	12	16023	Reflector
6	M00895	IL-640 locking ring, black (NiMH lamps)	13	M01193	Internal cassette assembly
	M01264	IL-640 locking ring, grey (NiCd lamps)	14	M02673	Gore-Tex valve
	M02862	IL-6400 lens frame		35032	IL-640 screw set
				35033	IL-6400 screw set
				70705	IL shoulder strap

ACCESSORIES

M11350	Red filter, plastic (IL-640)
M11351	Green filter, plastic (IL-640)
M11352	Orange filter, plastic (IL-640)
M11357	Diffuser filter, plastic (IL-640)
M11265	Flashlight stand (IL-640/6400)
M11266	Filter pouch (IL-640)

TECHNICAL SPECIFICATIONS

Light source:	4 x Cree LED
Battery:	NiMH 6V or NiCd 6V
Operating temperature range:	-20 °C ... +40 °C
Ingress Protection class:	IP67
Dimensions:	215mm (L) x 120mm (W) x 125mm (H)
Weight:	MICA IL-640 with NiMH battery 1.4 kg, with NiCd battery 1.3 kg MICA IL-6400 with NiMH battery 1.6 kg

TERMS AND CONDITIONS OF GUARANTEE

A two-year guarantee from the purchase date is granted for the MICA lamp, covering any manufacturing and material defects according to generally applicable terms and conditions of guarantee. Please note that the guarantee period for the battery is six months. The guarantee becomes void if the adjustment values of the electronics components have been changed or if any components have been damaged in any other way. Under the warranty period, the lamp may be serviced by an authorized Atexor service agent only. For maintenance repair, please send the lamp and the charger stand as well as the purchase receipt with the product. Note! A new MICA lamp/battery must be used or recharged within three (3) months of manufacture.